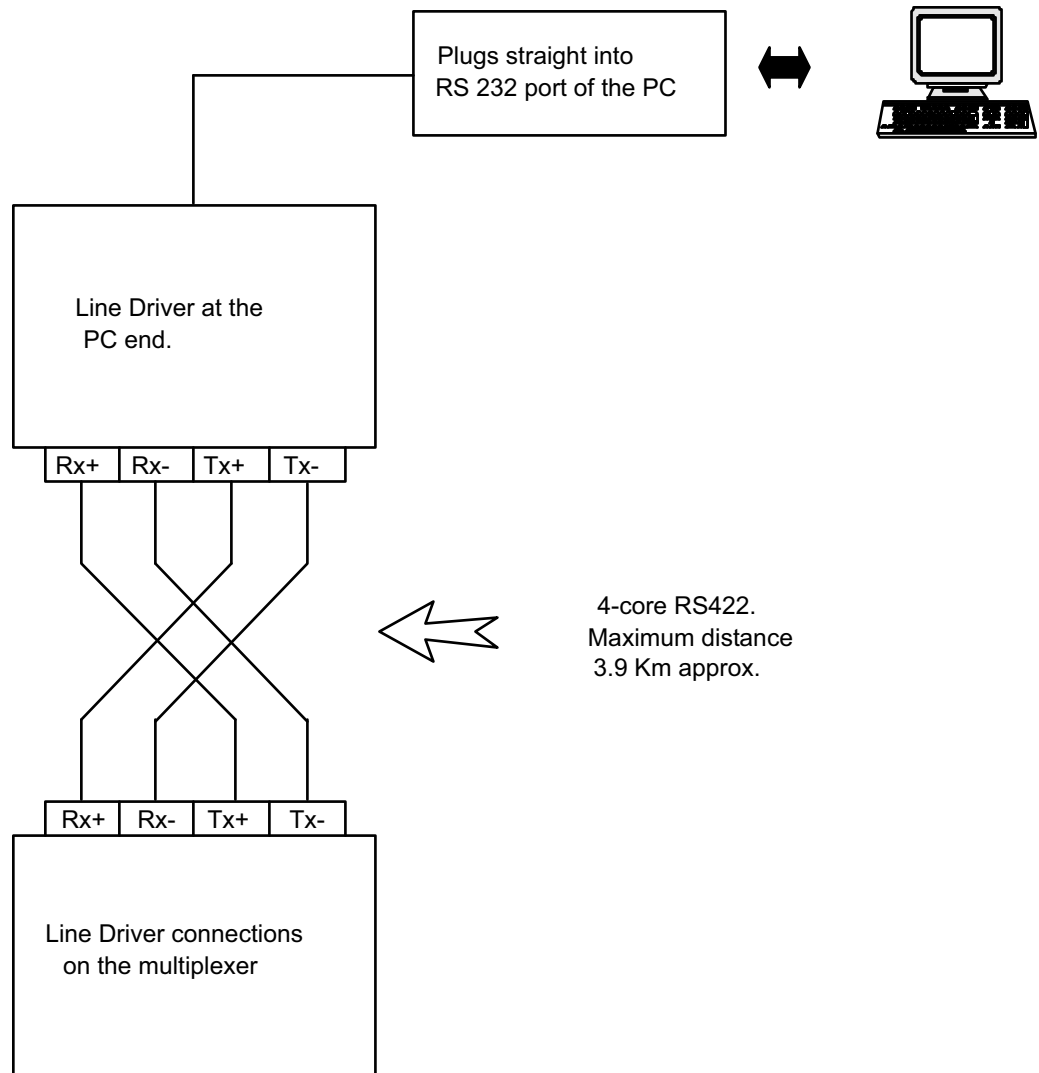


Multiplexer to PC serial port via RS422 Line Driver



Note 1:
Line drivers may need to be internally configured to achieve appropriate DTE/DTR settings. Consult the line driver data sheet.