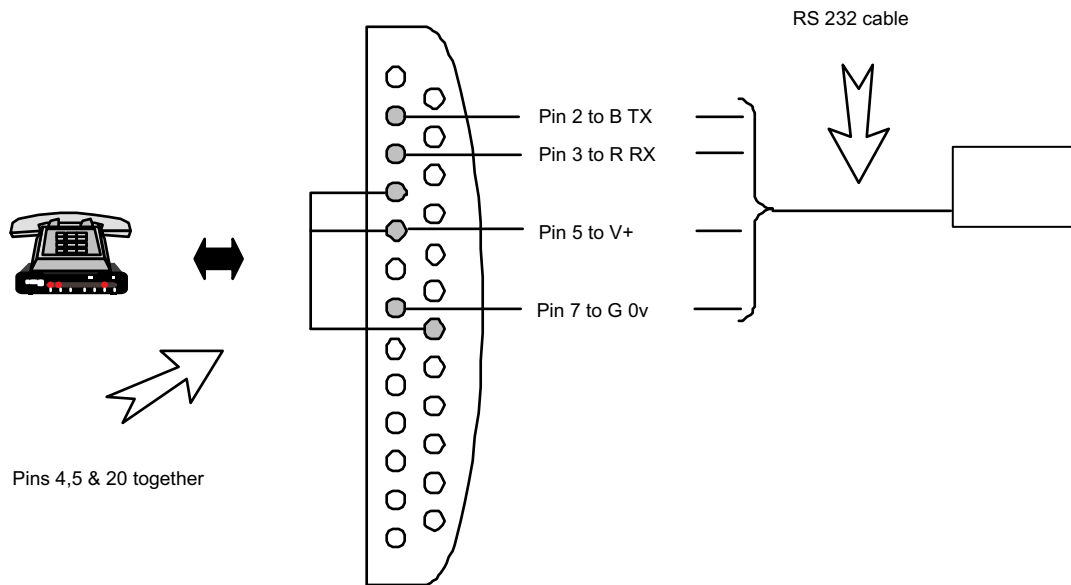
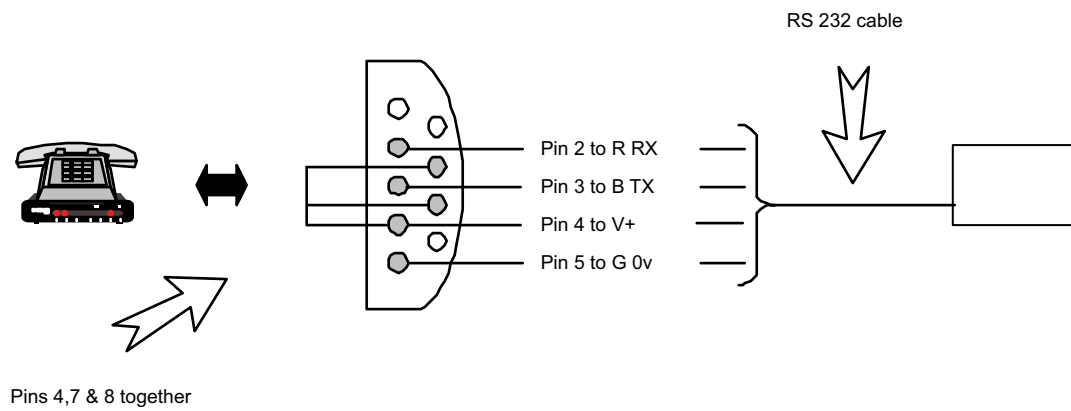


terminal to Modem connections

25 Way, Female



9 Way, Female



Note:
Terminal connections are via
the rs232 port on terminal PSU